

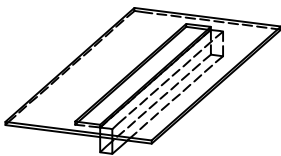
INSTALLATION INSTRUCTIONS FOR 23/44/66 RECESSED FLANGED FLUSH

THIS ASSEMBLY IS DESIGNED FOR POST SHEET ROCK INSTALLATION

STEP ONE: BE SURE TO LAY BOARDS (2X4) ALONG THE PATH YOU WOULD LIKE THE FIXTURE TO BE PLACED. THIS BOARD WILL BE WHAT THE FIXTURE IS LATER ATTACHED TO SO IT MUST LAY ALONG SIDE THE PLACE YOU WOULD LIKE TO MOUNT THE FIXTURE.

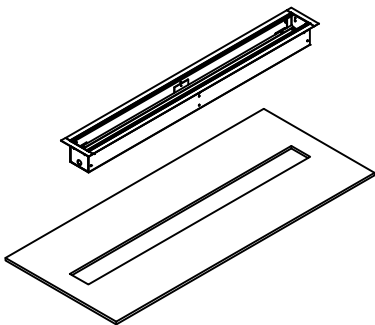
STEP TWO: PUT UP THE SHEET ROCK WITH THE POSITION OF THE FIXTURE MARKED OUT TO BE CUTOUT AFTER THE SHEET ROCK IS UP, OR HAVE THE FIXTURE HOLES CUT OUT ALREADY, BUT REMEMBER THIS CUTOUT SHOULD RUN ALONG SIDE THE PRIOR MENTIONED 2X4.

THE EXACT HOLE SIZE CUTOUT FOR EACH FIXTURE CAN BE FOUND IN ITS' ASSEMBLY DRAWING, BUT IN GENERAL THE SIZE CUTOUTS SHOULD BE AS SHOWN IN THE CHART.



SERIES	4FT	8FT
23	2X48	2X96
44	4X48	4X96
66	5.750X48	5.750X96

ALL DIMENSIONS ARE IN INCHES



STEP THREE: REMOVE LENS ON FIXTURE. PLACE FIXTURE INTO HOLE CUTOUT IN SHEETROCK. PRESS ALL THE WAY INTO HOLE UNTIL THE BACK FACE OF THE SIDE FLANGES ARE SNUGGLY AGAINST THE OUTER FACE OF THE SHEETROCK. ONCE YOU ARE CONTENT WITH THE POSITION OF THE FIXTURE, USE WOOD SCREWS TO SCREW THRU THE SIDE OF THE FIXTURE INTO THE 2X4 THAT WAS PREVIOUSLY DISCUSSED.

STEP FOUR : REPLACE LENS

